



FUEL MANAGEMENT SYSTEMS



DISPENSERS



KITS



PUMPS



METERS



NOZZLES

# E140

## FEATURES

- CONTINUOUS DUTY
- HIGH FLOW RATE
- HEAVY DUTY PUMP
- STURDY DESIGN

The E140 diesel transfer pump is versatile and suitable for different industries including automotive, agriculture, transportation, garages and construction. The E140 volumetric, self-priming vane pump for diesel transfer has a high seal and is reliable in conditions of use at low temperatures. With its solid and resistant body, the E140 is an easy to install diesel transfer pump, suitable for use in diesel dispensers and fixed fuel transfer systems, as well as other industrial applications. The compact cast iron structure makes the E140 electric pump the perfect system for performance and reliability.

### PERFORMANCE

UP TO  
**140 L/MIN**

FLOW RATE

**AC**  
VOLTAGE

POWER



E140



### PACKAGING

CODE	WEIGHT		PACKAGING			N. BOXES / EUROPALLET	
	KG	LBS	MM	INCH	PCS/BOX		
FO0395060	18	40	350X250X300	14X10X12	1	60	72
FO0395050	18	40	350X250X300	14X10X12	1	60	72

The engine is considered exempt from energy efficiency specifications in accordance with Article 2(2)(a) of Regulation (EU) 2019/1781



FILTRATION



TANK MONITORING



HOSE REEL



ACCESSORIES



MERCHANDISE



ANY BIODIESEL



AIR



ANTIFREEZE



AdBlue®



BIODIESEL



DIESEL



FOOD



GASOLINE



GREASE



KEROSENE



OIL

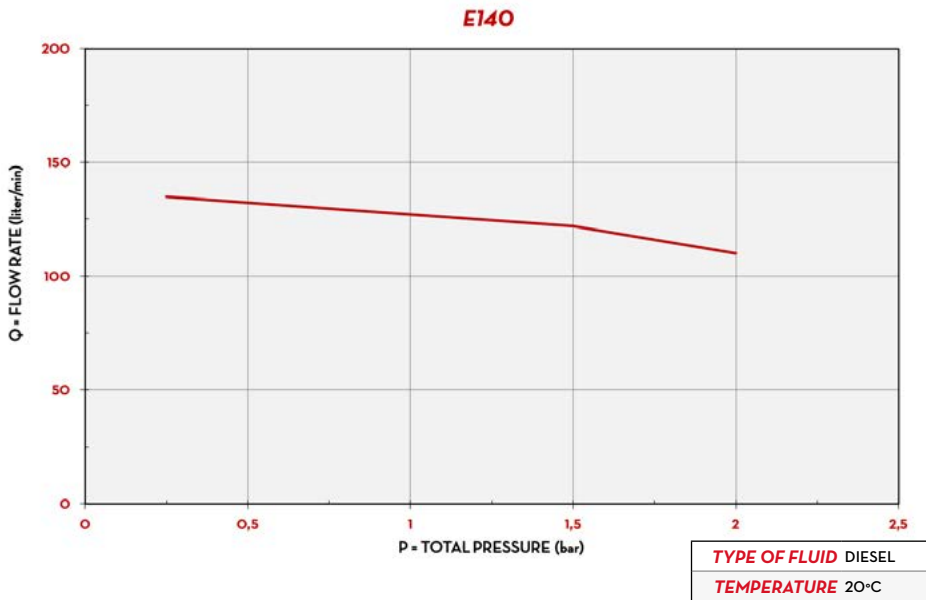


WATER



WINDSCREEN

### CHART



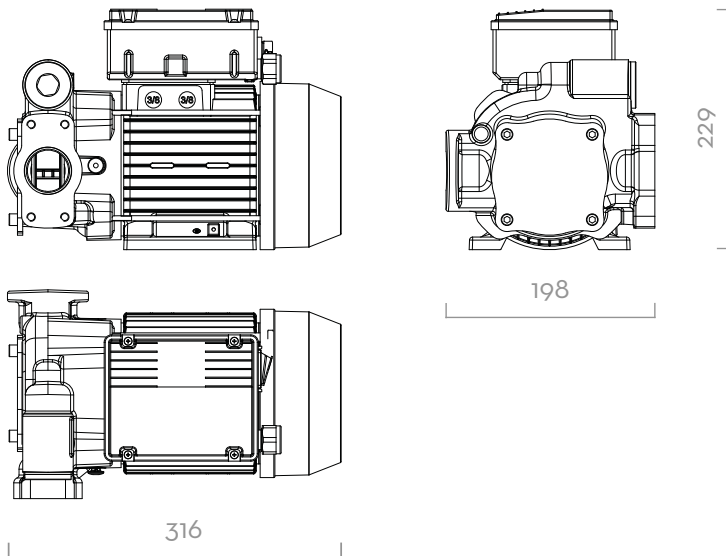
### IN THE BOX

- E140 PUMP
- INSTRUCTION MANUAL

### DETAILS



### DIMENSIONS



### MATERIALS

- BODY: CAST IRON
- ROTOR: SINTERED STEEL
- VANES: TECHNOPOLYMER
- SEAL: VITON
- SHAFT: STEEL

Dimensions expressed in millimeters

### TECHNICAL DATA

CODE	DESCRIPTION	FLUIDS TYPE	FLOW RATE		VOLTAGE			DUTY CICLE	RPM	INLET	OUTLET
			L/MIN	GPM	AC VOLT/HZ	POWER WATT	AMP. MAX.			CONTINUOUS	BSP
FO0395060	E 140 250/50	D	140	37	250/50	1150	5	S1	1450	1" 1/4	1"
FO0395050	E 140 230/50	D	140	37	230/50	1150	5	S1	1450	1" 1/4	1"

# E140